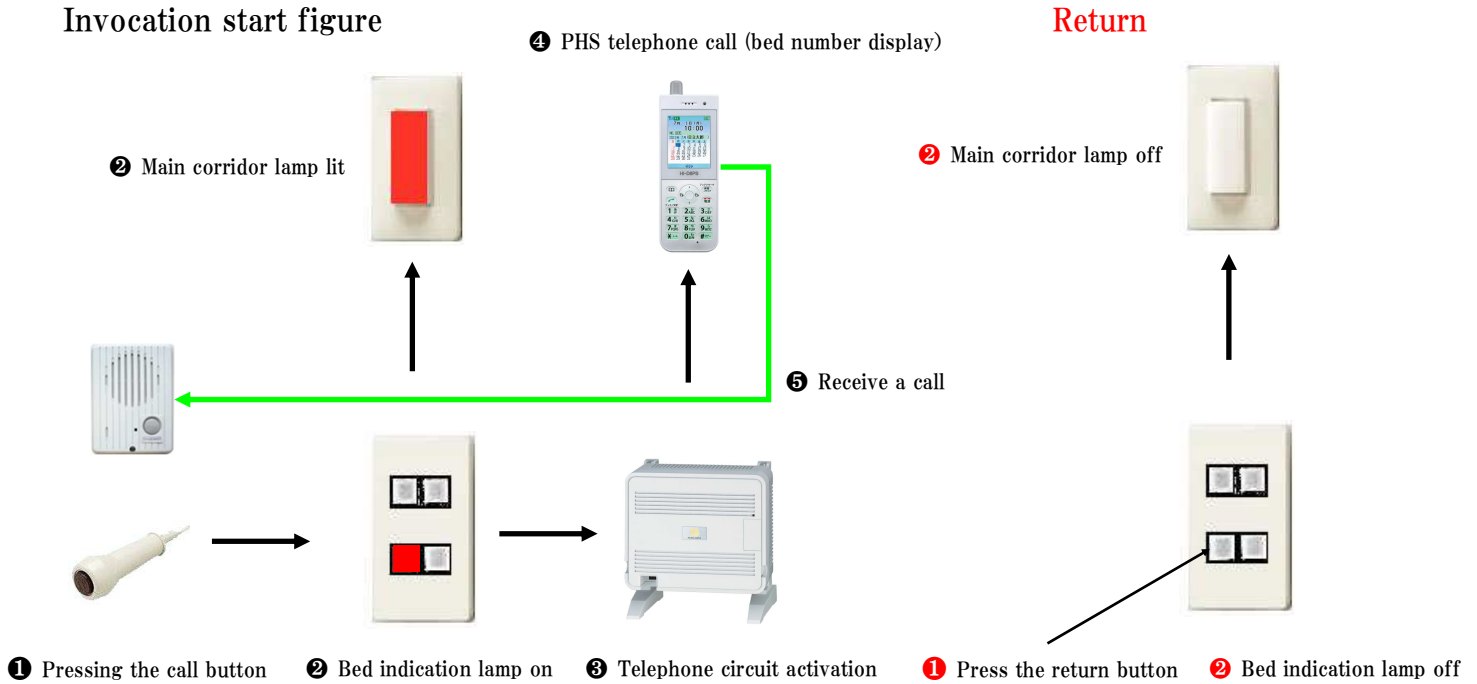


Multi-floor corridor lamp CCII-AD2-F※ manual

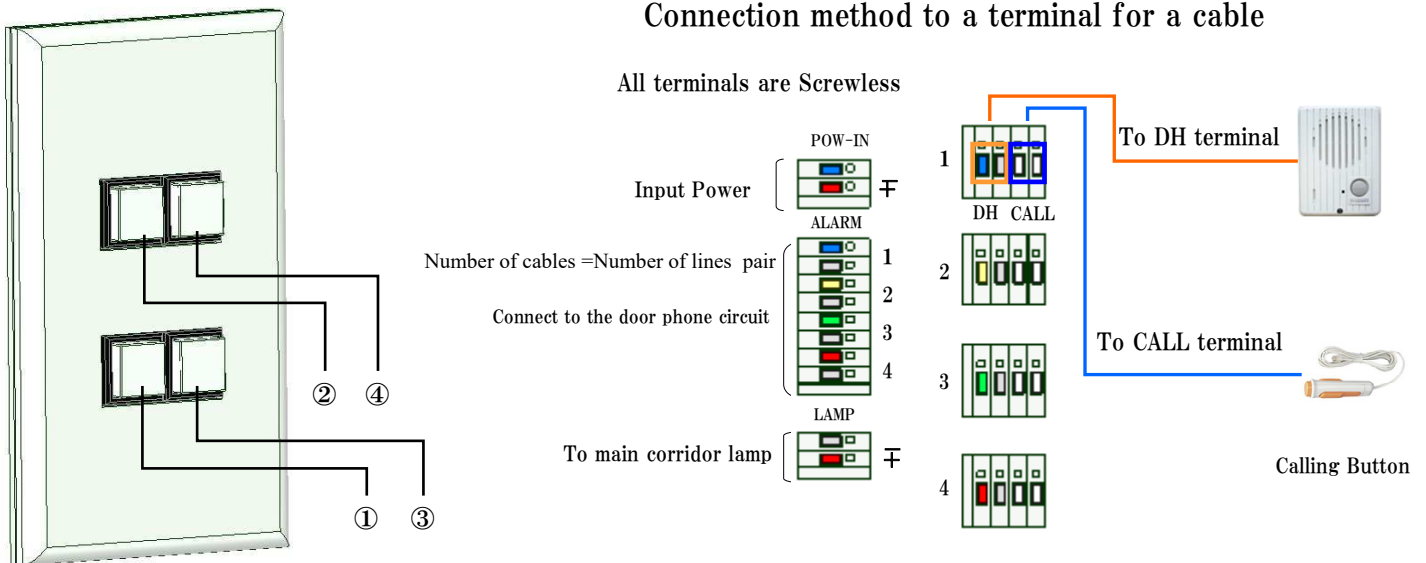
CCII-AD2-F※ instruction manual

Invocation start figure



CCII-AD2-F※ Construction manual

Connection method to a terminal for a cable



Please change the connection terminal if the bed and indicator light are not in the same position.

※ Be sure to match the cable connection to the terminal polarity and terminal name.

※ When setting up the intercom, please carefully read the instruction manual of the telephone facility and check the conditions and precautions.